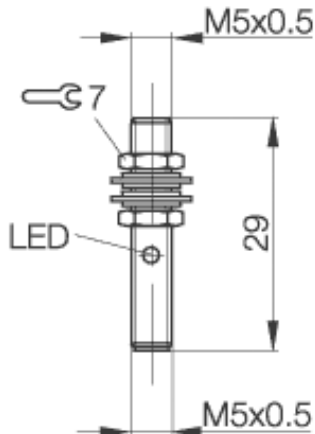


Inductive Sensors
BES M05EC-NSC08B-S26G
M5x0,5 x 29
normally-open
Sn=0,8mm
shielded



PX2086

Common Data

Mounting in steel	shielded
Rated operating distance Sn	0,8mm
Assured operating distance Sa	0...0,6mm
Repeatability R	= 5%
Hysteresis	= 15%
Function indication	yes
Ambient temperature range	-25...+70°C
Pollution Degree	3
Time delay before availability	≤ 10ms

Mechanical Data

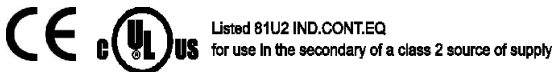
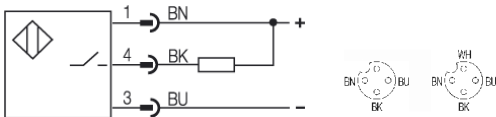
Measurements BxHxT or DxT	M5x0,5 x 29mm
Housing material	stainless steel
Material of sensing face	POM
Degree of protection	IP67IP
Connection	Connector S26
Schock: Halbsinus, 30 gn, 11ms	
Vibration: 55 Hz, 1mm Amplitude, 3 x 30 Minutes	

Electrical Data

Current type	DC
Wiring	3-Wire
switching function	normally-open
Output signal	NPN
Rated operational voltage	24 DCV
Rated operational current	100mA
Supply voltage	10...30 DCV
Ripple	=10%
Rated supply frequency	DCHz
max. switching frequency	3000Hz
Minimum operational current	1mA
No-load supply current	=12mA
Off-state current	= 80µA
Voltage drop	= 3V
Short circuit protection	yes
Protected against polarity reversal	yes

Remarks

Connector BKS-B 25/BKS-B 26



Utilization categories DC 13
 Insulation class

Datasheet number:

Definitions see general catalog.
 If not otherwise noted, ratings according to IEC 60947-5-2 (DIN EN60947-5-2)

Balluff GmbH
 Schurwaldstrasse 9
 73765 Neuhausen a.d.F.
 Phone (07158) 173-0 Fax (07158) 5010

Datenblatt by CD-ROM - 04/2007

